

## Rack Type NERT - Single speed

The Electrolux dishwashing range is produced for customers with the highest conceivable demands for good efficiency, economy and ergonomics for dishwashing operation. The product range consists on glasswashers, undercounter dishwashers, hood type dishwashers, rack type dishwashers, flight type dishwashers and pot and pan washers. The range consists of 8 models with both left or right feeding. The NERT is available in standard versions (533374 and 533375), 60 Hz versions (533376 and 533377) or versions able to pass the thermal label test (71 °C measured on the plate) as requested by hotel chains (533370 or 533371). The machine has a single speed capacity of 200 baskets per hour.



WT90

### EASY TO INSTALL

- The machine requires hot water supply connection.
- Electrical and water connections centralized in one area.
- Only one cable for electrical connection.

### FUNCTIONAL ZONES

- Power wash zone in which the soil is removed.
- The final rinse sanitizes the items by using 2.4 liters/rack of hot fresh water which are heated up inside the built-in boiler.

### EASY TO MAINTAIN

- Wash/rinse arms and filter easy to remove.

- Large filter above the water surface and secondary pump filter to ensure that large particles do not enter wash pump.
- Wash tank filter holes are smaller than wash nozzle holes to prevent blockage.
- Service from the front and sides.

### EASY TO CLEAN

- Smooth surfaces and wash tank with rounded corners.
- Easily removable washing and rinsing arms with removable end caps, filters and rack support.
- No pipes inside the washing chamber.
- Large panoramic inspection door to access both washing and rinsing areas.

- 200mm height adjustable feet for complete external cleaning.

### EASY TO USE

- Simple control panel with thermometers indicating both wash and rinse temperatures.
- The closure of the door automatically closes the wash tank drain.
- The opening of the door automatically shuts off the wash pump and conveyor.
- Double skin door for less heat and noise dispersion.



**Electrolux**

**Electrolux Dishwashing  
Rack Type NERT - Single speed**

- Counter-balanced door lift with safety hinge prevents the door from suddenly closing in case of spring breakage, thus preventing operator injury.
- Built in rinse water heater to increase the temperature of the final rinse water.
- Simple switch/button control panel.

- Wash/rinse arms and nozzles in stainless steel.
- Powerful 1.5kW wash pump to ensure strong washing action.
- Automatic stop/start function to save rinse water.
- 114 liter wash tank ensures enough fresh water for a full wash cycle.
- Automatic temperature control and low water protection.

**EASY ON THE ENVIRONMENT**

- CFC free packaging.
- 98% recyclable by weight.
- Low noise level <70dBA.
- Developed and produced in ISO 9001 and ISO 14001 certified factory.

**CONSTRUCTION FEATURES**

- All main components in heavy duty anti corrosion 304 AISI stainless steel.
- IPX5 water protection and completely closed at the rear to prevent filtration from insects, dirt and water.

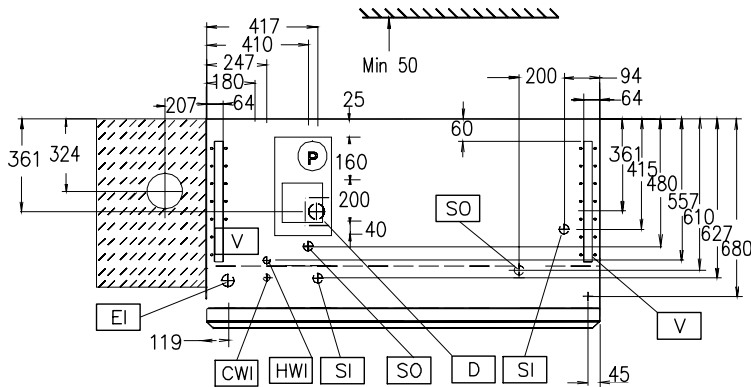
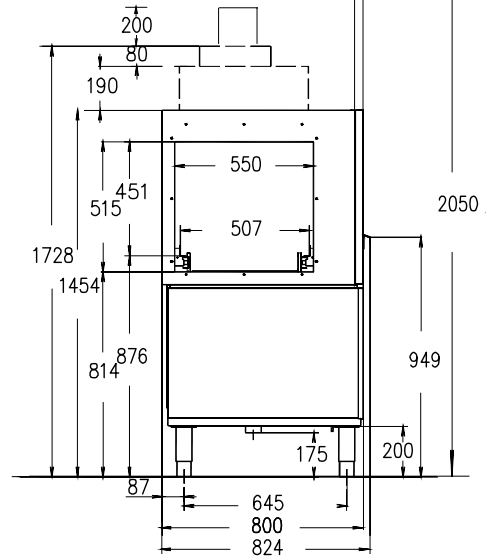
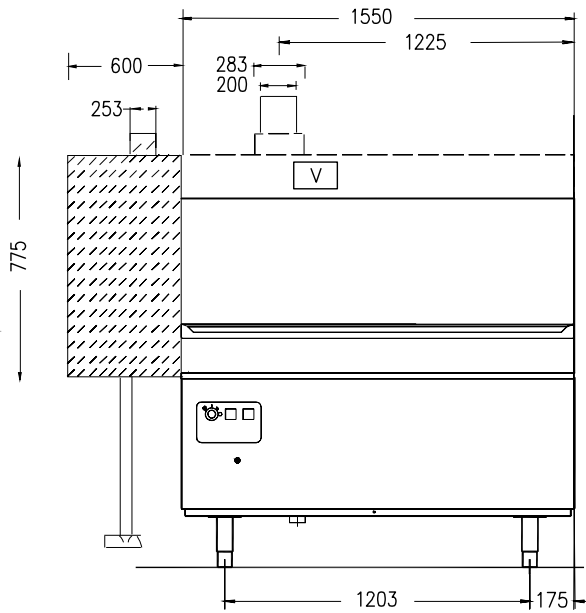
	NERT20ER 533374	NERT20EL 533375	NERT20ER60 533376	NERT20EL60 533377	NERT20ERH 533370	NERT20ELH 533371	NERT20SR 533336	NERT20SL 533337
<b>TECHNICAL DATA</b>								
Model	Basic - Electric Right	Basic - Electric Left	Basic - Electric Right	Basic - Electric Left	Basic - Electric Right	Basic - Electric Left	Basic - Electric Right	Basic - Electric Left
Power supply	Electric	Electric	Electric	Electric	Electric	Electric	Steam & Electric	Steam & Electric
Feeding direction	from RH to LH	from LH to RH	from RH to LH	from LH to RH	from RH to LH	from LH to RH	from RH to LH	from LH to RH
Electric version	●	●	●	●	●	●	●	●
Steam version								
N° of speeds	1	1	1	1	1	1	1	1
Capacity baskets/h 1st/2nd speed	200	200	200	200	200	200	200	200
Capacity dishes/h 1st/2nd speed	3600	3600	3600	3600	3600	3600	3600	3600
Air emission - m³/h	500	500	500	500	500	500	500	500
Water supply								
operation - °C	50	50	50	50	50	50	50	50
tank filling - °C	50	50	50	50	50	50	50	50
External dimensions - mm								
width	1550	1550	1550	1550	1550	1550	1550	1550
depth	800	800	800	800	800	800	800	800
height/with open door	1454, 2050	1454, 2050	1454, 2050	1454, 2050	1454, 2050	1454, 2050	1454, 2050	1454, 2050
1st wash								
temperature - °C	55-65	55-65	55-65	55-65	55-65	55-65	55-65	55-65
tank capacity - lt.	114	114	114	114	114	114	114	114
tank power - kW	9	9	9	9	24	24		
pump power - kW	1.5	1.5	1.5	1.5	1.5	1.5		
Rinsing								
temperature - °C	80-90	80-90	80-90	80-90	80-90	80-90	80-90	80-90
boiler capacity - lt.	16	16	16	16	16	16	16	16
boiler power - kW	28	28	28	28	24	24		
Steam consumption peak - Kg/h							60	60
Total installed power - kW	39	39	39	39	50	50	2.1	2.1
Net weight - kg.	200	200	200	200	200	200	200	200
Supply voltage	400 V, 3N, 50	400 V, 3N, 50	400 V, 3N, 60	400 V, 3N, 60	400 V, 3N, 50	400 V, 3N, 50	400 V, 3N, 50	400 V, 3N, 50
<b>INCLUDED ACCESSORIES</b>								
CONNECTION PLATE-HANDLING TO WT90/RT10	2	2	2	2	2	2	2	2
<b>ACCESSORIES</b>								
BASKET FOR 5 HALF INSULATED TRAYS-RED	867005	867005	867005	867005	867005	867005	867005	867005
COVER GRID FOR SMALL/LIGHT ITEMS IN RACK	867016	867016	867016	867016	867016	867016	867016	867016
KIT 6 BASKETS FOR 1-TANK RACK TYPE DW	867050	867050	867050	867050	867050	867050	867050	867050
KIT 9 BASKETS FOR 1-TANK RACK TYPE DW	867051	867051	867051	867051	867051	867051	867051	867051
RINSE BOOSTER PUMP-ELECTR.MECH.RACK TYPE	864052	864052	864052	864052	864052	864052	864052	864052
SIDE PRE-WASH AND WASH ARMS		864053		864053		864053		864053

IEAA035\_Row

2011-08-03

**Electrolux Dishwashing  
Rack Type NERT - Single speed**

533374, 533336, 533370, 533376



CG-1bDX00

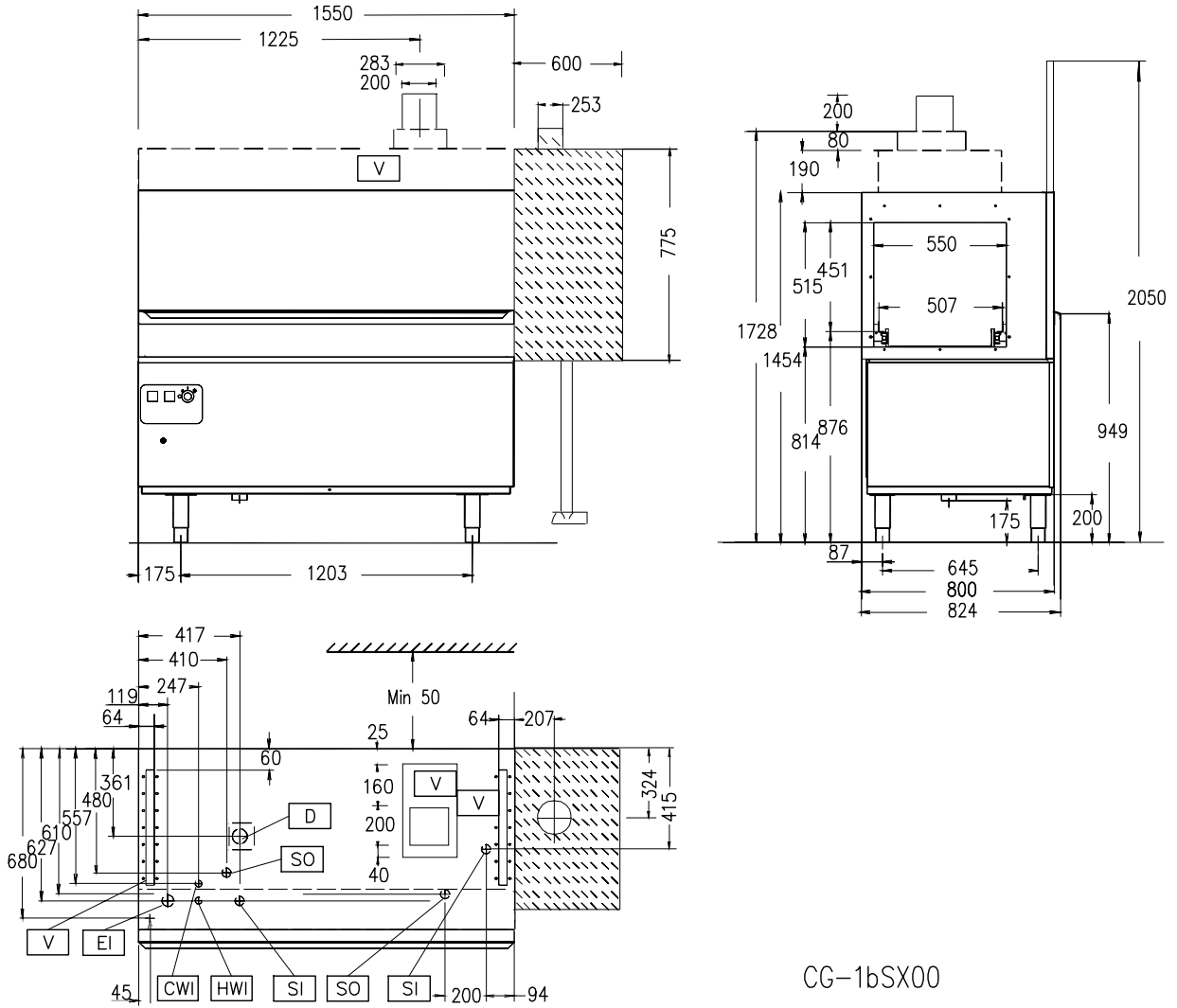
IEAA035\_Row

2011-08-03

LEGEND	NERT20ER 533374	NERT20ER60 533376	NERT20ERH 533370	NERT20SR 533336
CWI - Cold water inlet	G 3/4"	G 3/4"	G 3/4"	G 3/4"
D - Water drain	50mm	50mm	50mm	50mm
EI - Electrical connection	400 V, 3N, 50	400 V, 3N, 60	400 V, 3N, 50	400 V, 3N, 50
HWI - Hot water inlet	G 3/4"	G 3/4"	G 3/4"	G 3/4"
SI - Steam inlet				ISO-G 3/4" F
SO - Steam condenser				ISO-G 3/4" F
V - Condensation outlet	●	●	●	●

**Electrolux Dishwashing  
Rack Type NERT - Single speed**

533375, 533337, 533371, 533377



IEAA035\_Row

2011-08-03

LEGEND	NERT20EL 533375	NERT20EL60 533377	NERT20ELH 533371	NERT20SL 533337
CWI - Cold water inlet	G 3/4"	G 3/4"	G 3/4"	G 3/4"
D - Water drain	50mm	50mm	50mm	50mm
EI - Electrical connection	400 V, 3N, 50	400 V, 3N, 60	400 V, 3N, 50	400 V, 3N, 50
HWI - Hot water inlet	G 3/4"	G 3/4"	G 3/4"	G 3/4"
SI - Steam inlet				ISO-G 3/4" F
SO - Steam condenser				ISO-G 3/4" F
V - Condensation outlet	●	●	●	●